

Wireless Temperature Sensor HYJT-W



Heyuan Intelligence Technology Co., Ltd

IMPORTANT DECLARATIONS

Copyright © 2019 Heyuan Intelligence Technology Co., Ltd All Rights Reserved

This manual may not be reproduced, copied, transmitted or transcribed in whole or in part by any means without the expressed written permission of Heyuan. Any shall be investigated for legal responsibility in violation of copyright or other intellectual property rights of the Company. We check the user manual's contents regularly and will make necessary amendments in next version. Welcome to give advice for some unexpected errors. The rights of upgrading without notice are reserved.

Please read this manual carefully before the product is operated. And once you start operating the meter, you'll be considered to have read this manual and accept all our terms. Heyuan shall not be responsible or liable for any damages or injuries caused by improper meter installation and/or operation.

Attention: the following symbols in this manual refer to meanings as follows



Electric Shock Symbol: Carries information about procedures which must be followed to reduce the risk of electric shock and danger to personal health



Safety Alert Symbol: Carries information about circumstances which if not considered may result in injury or death

The meter must be installed and operated by one who has experience with high-voltage devices or has qualifications. Please connect the meter to correct voltage before operating the meter. Please install and use the meter according to the user manual. Heyuan shall not be responsible or liable for any damages or injuries caused without following the instructions in the user manual.

Contents

Chapter 1 Overview	1
Chapter 2 Specifications	1
Chapter 3 Dimensions & Installation	2
Chapter 4 After-sales Service	3
Chapter 5 Contact Us	4

Chapter 1 Overview

In view of the high temperature rise caused by material aging, poor contact, current overload and other factors in the contact part of electrical equipment, the hidden trouble is not easy for detection. Our company has developed a passive wireless temperature sensor HYJT-W, which can work steadily in high electromagnetic field, high current, and stable operation at high temperature for a long time.

The product adopts ultra low power design, micro electromagnetic energy collection technology, no battery, radio frequency communication, CRC check and other technologies. It has the characteristics of green environmental protection, no maintenance, complete electrical isolation, convenient installation, strong anti-interference ability, reliable work, small volume and so on, which can solve the problem of temperature measurement in high voltage state.

Application field :

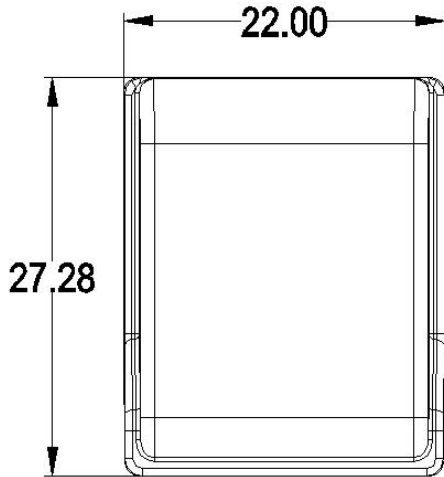
All kinds of high and low voltage switchgear contacts, knife switch, high voltage cable middle end, dry transformer, low voltage high current cabinet and other electrical equipment temperature online monitoring.

Chapter 2 Specifications

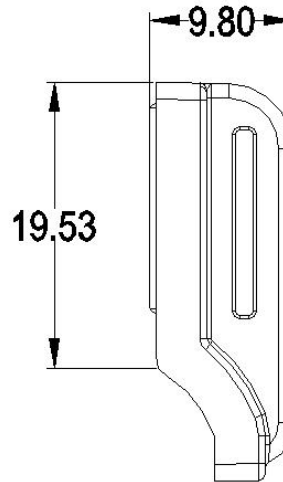
Work environment	-40 ~ 85℃ ,≤95%RH
Operating frequency	433MHz(exempt from application)
Transmitting power	10dbm
Communication rate	10 kbps
Transmission distance	≥ 150 m (open space)
Temperature measurement mode	Contact-type
Temperature range	-45 ~ +125℃
Measurement accuracy	±1.0℃
Power supply	Electromagnetic energy collection (busbar current 5-5000A)
Measurement interval	10S
Transmission interval	20 seconds to 100 seconds, the higher the temperature or the sudden change, the shorter the transmission interval
Protection level	IP68
Flame retardant grade	V0
Overall dimension	27×22×9.8mm

Chapter 3 Dimensions & Installation

3.1 Overall Dimension (unit: mm)

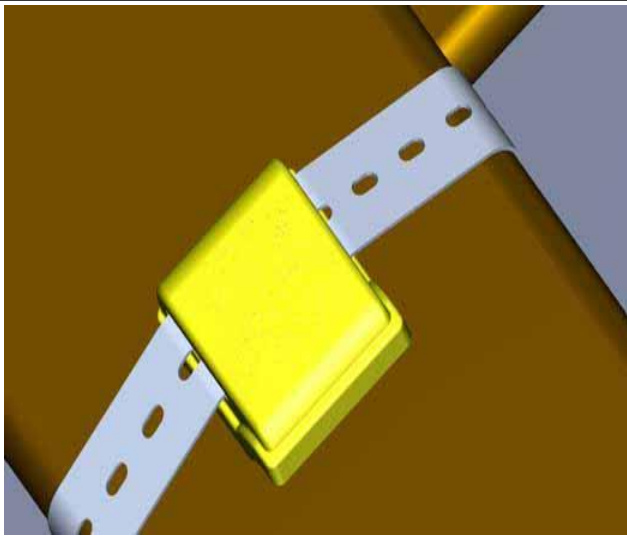
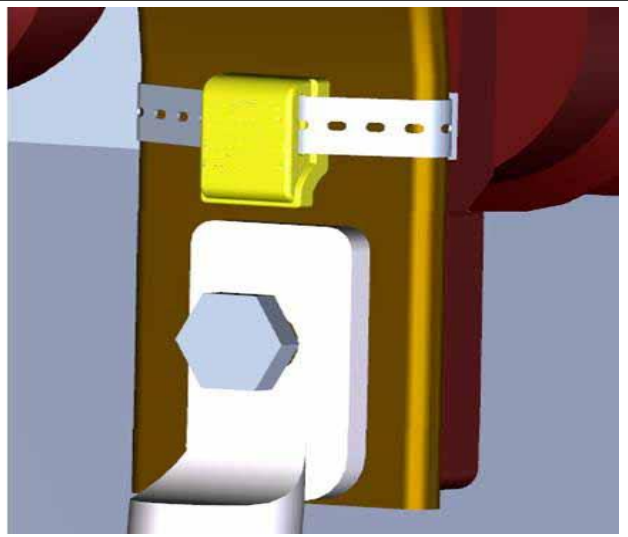


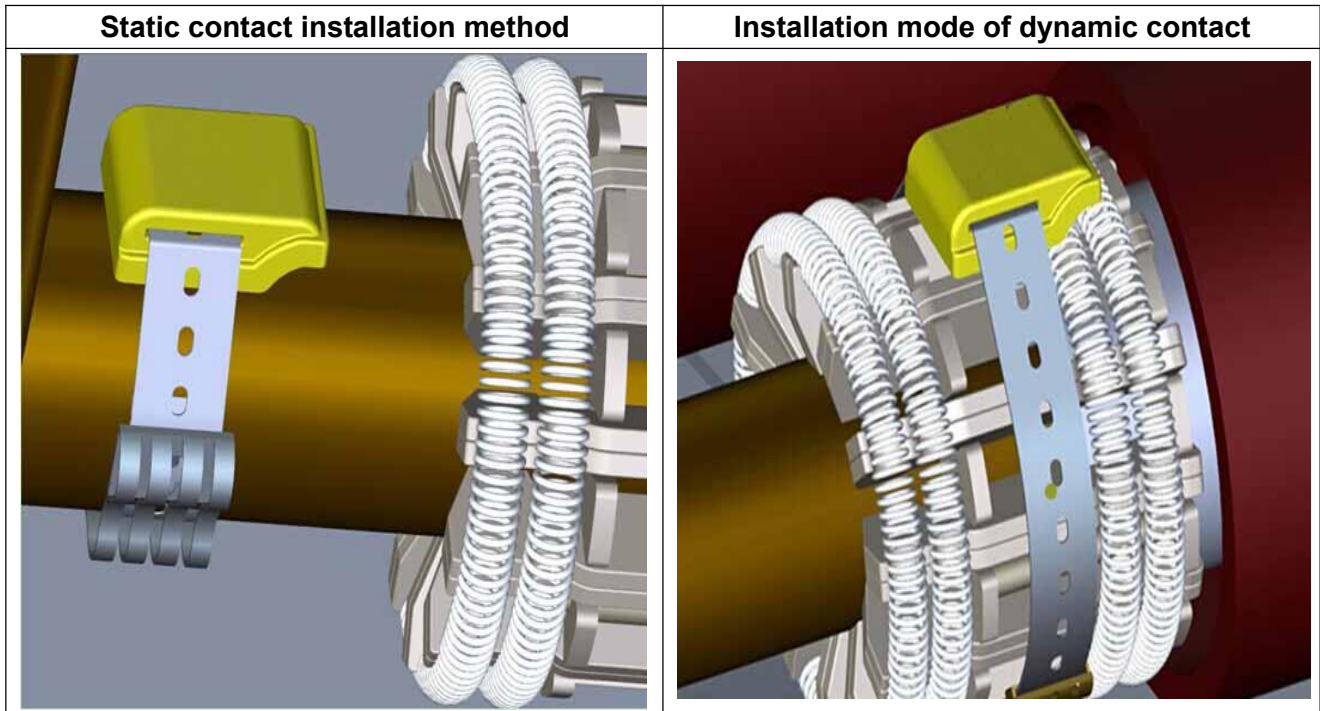
Top View (Unit: MM)



Side View (Unit: MM)

3.2 Installation Method

Busbars installation method	The installation method of the outgoing line
	



As shown above.

Installation material : 450 × 10 × 1mm alloy belt.

Precaution :

- (1) Sensor number must be one to one correspondent with the set in HYTR-20F;
- (2) In any case, it is forbidden to disassemble the product by user, and no warranty shall be granted after disassembly.

Chapter 4 After-sales Service

Product Warranty

1. The product warranty period is one year.
2. The company is responsible for free maintenance or exchange within one-year warranty period.
3. The cost of the components and freight shall be charged for improper meter installation and/or operation.
4. Over the warranty period, part of the maintenance cost according to actual situation will be charged.

Service Guarantee

1. Product technical consulting and quality complaints will be replied within 12 hours.
2. Solutions for quality complaints will be provided within 24 hours.
3. Except statutory holidays and force majeure.



Chapter 5 Contact Us

Headquarter Add.: 7F No.1 Aosheng Building, 1166 Xinluo Street, High-tech Development Zone, Jinan, P.R. China 250101

Factory Add.: 2F Innovation Factory, Feiyue Road, High-tech Development Zone, Jinan, P.R. China 250101

Tel: +86 68621770-863

Code: 250101

E-mail: info@heyuanintel.com

Website: www.heyuanintel.com