



# G19H

## VEHICLE GPS TRACKER



GPS tracker G19H is a four wires device which integrated GSM technology, GPS technology, built-in antenna and sensors. It has functions like ACC detection, vibration alarm, remotely cut-off petrol/electricity.

Through our standard waterproof performance testing, GPS G19H reaches waterproof Ip67 level, shows that it could continuously work in vehicle wading situation or rainy day.

### FUNCTION



Real-time Tracking



Remotely Cut-off Petrol/Electricity



Waterproof Protection



Cut-wire Alarm



Built-in Battery



Multiple Alert Protections

### PARAMETER

Size	72mm(L)*30mm(W)*12mm(H)
Working Temperature	-20°C to 70°C
Working Voltage	9-90V

Weight	32g
Built-in Battery	55mAh

### HARDWARE SPECIFICATION

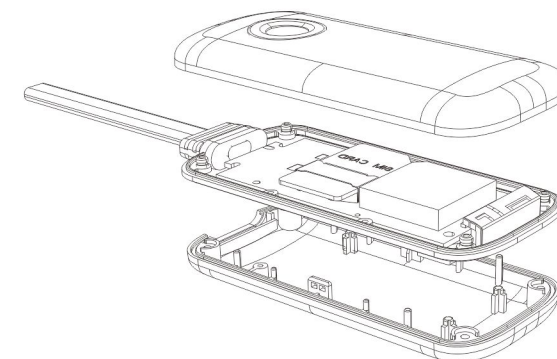
Location Accuracy	<=10m
GPS Chip	MTK6261D
GSM Frequency	850/900/1800/1900MHZ
Positioning Time	Hot Start<2SEC(Open Sky)
	Warm Start<15SEC
GSM Antenna	Spring Antenna
	Built-in 18mm*18mm*4mm Ceramic Antenna
GPS Antenna	Built-in 18mm*18mm*4mm Ceramic Antenna
GPRS	Class12. TCP/IP Built-in GSM Module

Channel	20 Class
GPS Sensitivity	-144dBm
Tracking Sensitivity	-160dBm
Power LED Indicator	Red
GPS LED Indicator	Blue
GSM LED Indicator	Green

### SOFTWARE SPECIFICATION

Data Upgrade Port	Not Support
Function Port Definition	Not Support
Parameter Setting	SMS Command, Platform
GPRS Upload	Upload Interval Every 10 Seconds
Third-party Checking	WEB/APP

ACC Detection	Support
Geo-fence	Support
Cut-wire Alarm	Support
Vibration Alarm	Support
Movement Alarm	Support



### APPLICATION



Taxi Company



School Bus



Motorcycle Dealership