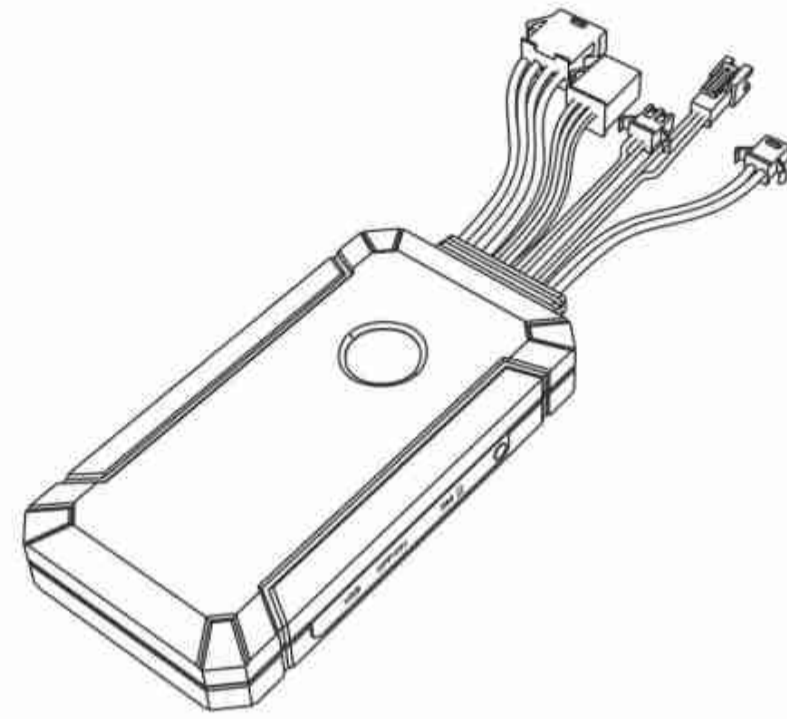


# GPS TRACKER

## USER MANUAL



Please read the instruction manual carefully before installation and use.

### 1 Product Parameters & Functions

#### 1.1 Product Parameters

Item	Name	Specification
Main Features	Size	100x53x17mm
	Battery	180mAh
	Voltage Range	9V - 75V
GPS	GPS Fixed Time	Hot<1sec (Open Sky)
		Cold<32sec(Open Sky)
	Positioning Accuracy	< 10m

#### 1.2 Accessories List

Item	Unit	Qty
Device	Pc	1
SOS	Pc	1
Mic	Pc	1
Manual	Pc	1

### 2 Product Features

**NOTED** SIM Card needs SMS, data service and phone call functions.



ACC Detection



Geo-fence



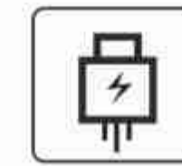
Low Battery Alarm



Trace Playback



Real-time Tracking



Remotely Stop Engine



Cut-wire Alarm

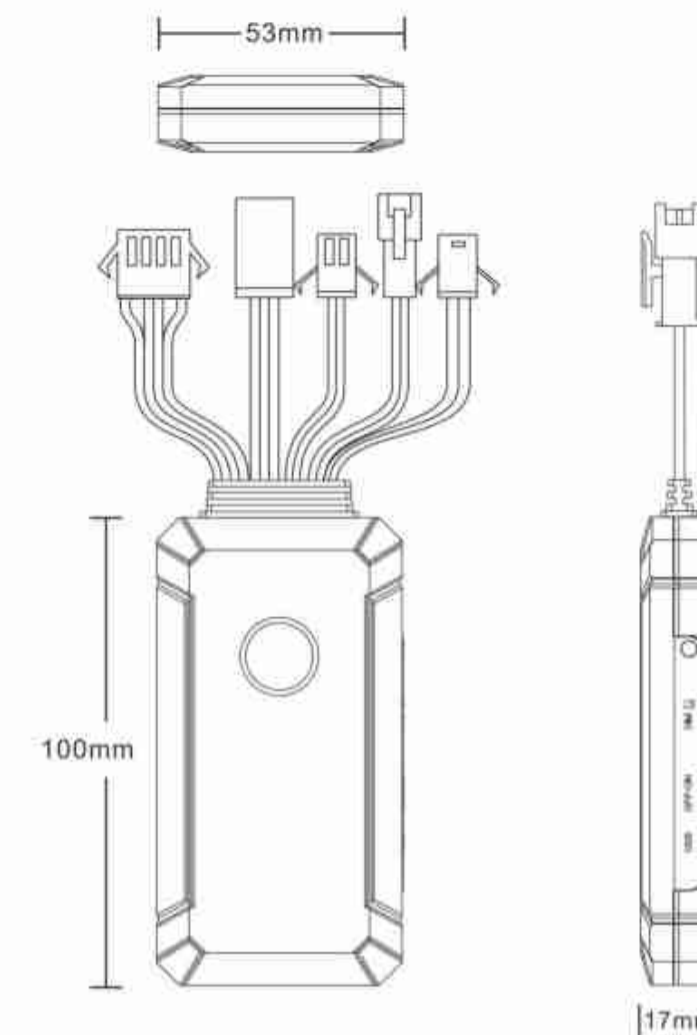


SOS Emergency

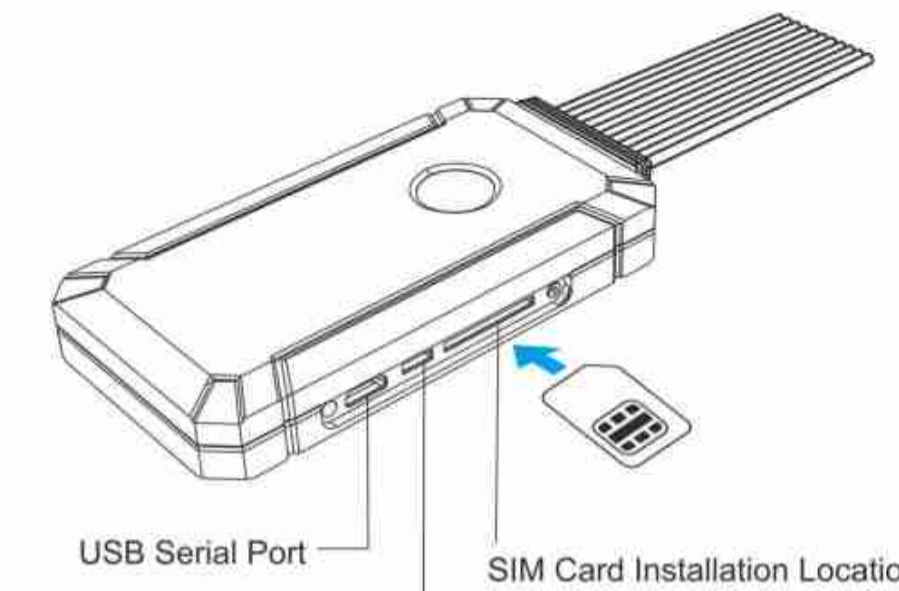


Voice Monitoring

### 3 Product Size

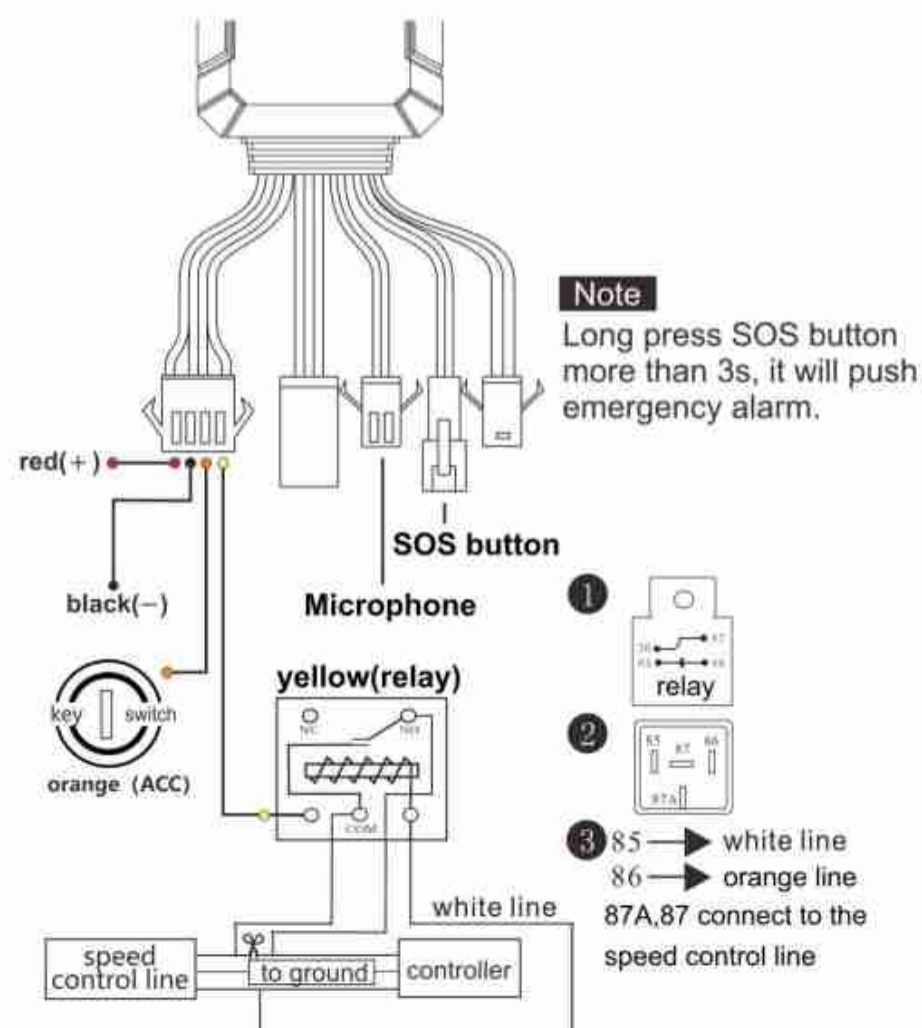


### 4 Sim Installation



After inserting the card, the built-in switch needs to be turned on

### 5 Wire Connection



### 6 LED Indicator

LED type	LED status	Meaning
Yellow Light	Slow flash	GSM initialization
	Steady	GSM communication normal
	No Light	GSM in sleep mode / shut down
Blue Light	Slow flash	Searching for satellite signals
	Steady	GPS / BDS is located
	No Light	GPS is in sleep mode
Red Light	Steady	GPS unit ON

### 7 Product Installation

Please consult a technician for installation.

#### Installation Precautions

- The device should be installed in a waterproof and dry place.
- Please insert SIM card before connecting power and switching ON.
- Ensure device light in the front and there is no metal cover.
- Secure with a cable tie or sponge double-sided tape.

### 8 Quick Operation Instructions

#### 1.APN setting

To ensure GPRS is active, please make sure APN is correct. You can send SMS command to set APN.  
 APN command  
 Format: **APN,APN's Name#**  
 Eg: **APN,internet#**  
 ('internet' is the APN of carrier)

#### 2.Server Setting

Default platform is [www.wanwaygps.com](http://www.wanwaygps.com)  
 Connect the device to another platform, please send the SMS command to change the server IP:  
 Change IP by domain name  
 Format: **SERVER,1,WW9006.gpsog.com,9006,0#**

Change IP by IP name  
 Format: **SERVER,0,101.37.243.249,9006,0#**

#### 3.Check Param Setting

You can check the parameter setting by command: **PARAM#**  
 Eg: **PARAM#**  
 Reply Content includes:  
 ID, IP, APN, etc.

### 9 Working Description

- Turn on the switch after inserting SIM card and connect the device to the vehicle power, and then the indicator lights will start blinking.
- If the device is using its own built-in battery, the power indicator light (red) will slowly blink after turning on manually.
- A few seconds later both GSM light and GPS light will be steady and device will enter into normal working status.

### 10 Trouble Shooting

Problem	Description	Solution
Failed to connect the internet	SIM card not installed	Check the SIM card
	SIM card not installed properly	Install again
	No GSM network	Move the device to the GSM network area.
Location failed	Weak GSM network	Move the device to strong GSM network area.
	SIM card has no GPRS functions	Contact SIM card supplier to activate the GPRS function
No GPS location	Always reply "failed to get location"	Contact the supplier
	Some poor signal areas like basement, tunnels are not able to acquire GPS signals	Move the device to open sky areas

### 11 Access to Platform

- Platform([www.wanwaygps.com](http://www.wanwaygps.com)).
- Android and IOS APP(Scan the qr code to download app).



- There are two methods to login in the platform or app.
- Login by IMEI number(the 15 digits in the back of the device), password: the last 6 digits of IMEI number.
  - Contact the supplier to create an account for you.