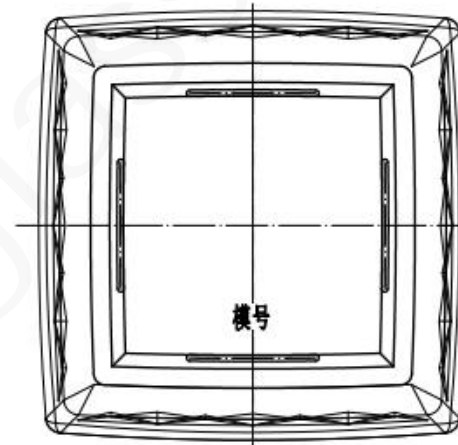
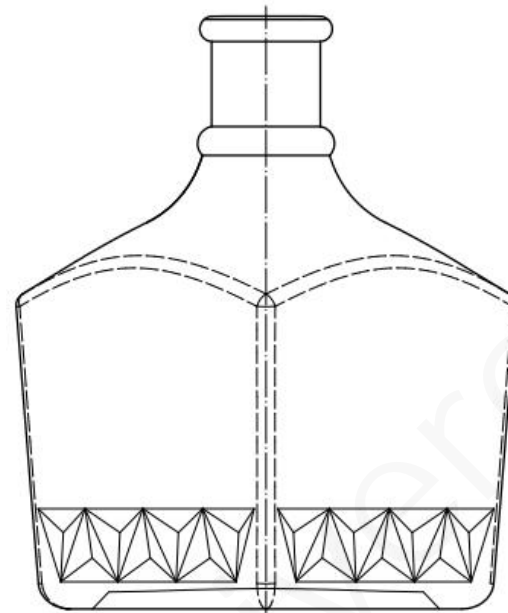
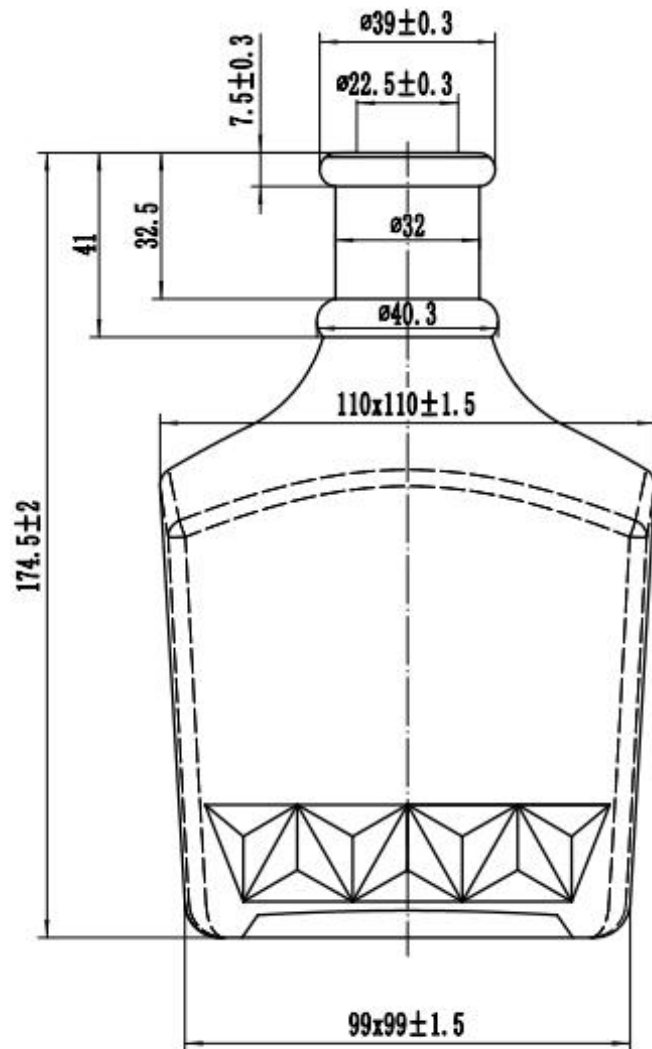


# TECHNICAL DRAWING

## YXJ-10995

70CL—1000gr / Extra Flint Material



**BRIVERGLASS**

NAME OF BOTTLE :		YXJ-10995 70CL	
CAPACITY :	700ml	GLASS WEIGHT :	1120±20g
FULL CAPACITY :	745±15ml	GLASS HEIGHT :	174.5±2mm
DIAMETER :	110X100±1.5mm	MATERIAL :	EXTRA FLINT
FINISH OUTSIDE :	39±0.3mm	FINISH INSIDE :	22.5±0.3mm

Please carefully review the technical drawings. Bottles that comply with the technical drawings are considered qualified products.

Info@briverglass.com | www.briverglass.com