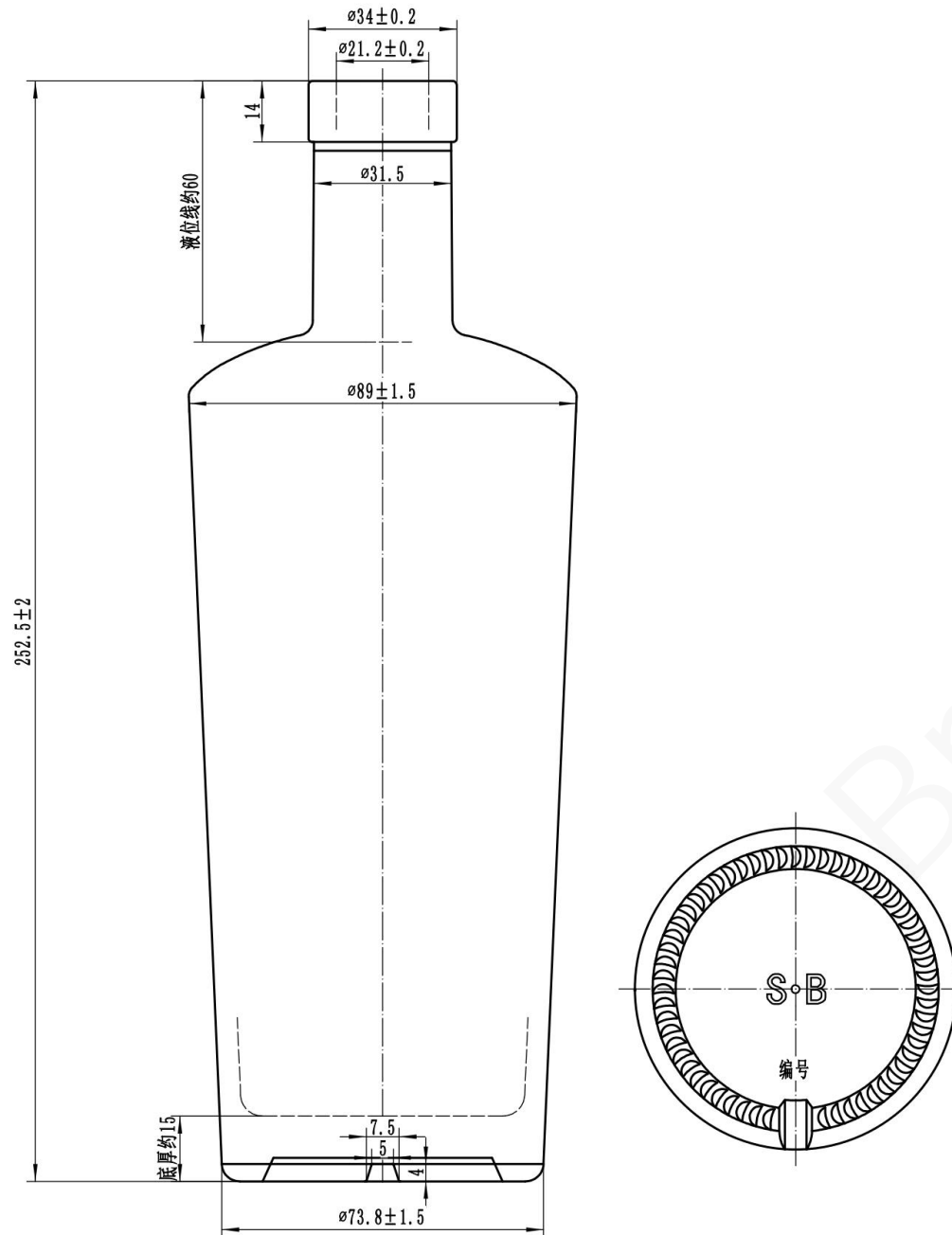


# TECHNICAL DRAWING

## YXJ-11099

75CL—620gr / Extra Flint Material



**BRIVERGLASS**

NAME OF BOTTLE :		YXJ-11099 75CL	
CAPACITY :	750ml	GLASS WEIGHT :	620±10g
FULL CAPACITY :	770±8ml	GLASS HEIGHT :	252.5±2ml
DIAMETER :	89±1.5ml	MATERIAL :	EXTRA FLINT
FINISH OUTSIDE :	34±0.2mm	FINISH INSIDE :	21±0.2mm

Please carefully review the technical drawings. Bottles that comply with the technical drawings are considered qualified products.

Info@briverglass.com | www.briverglass.com