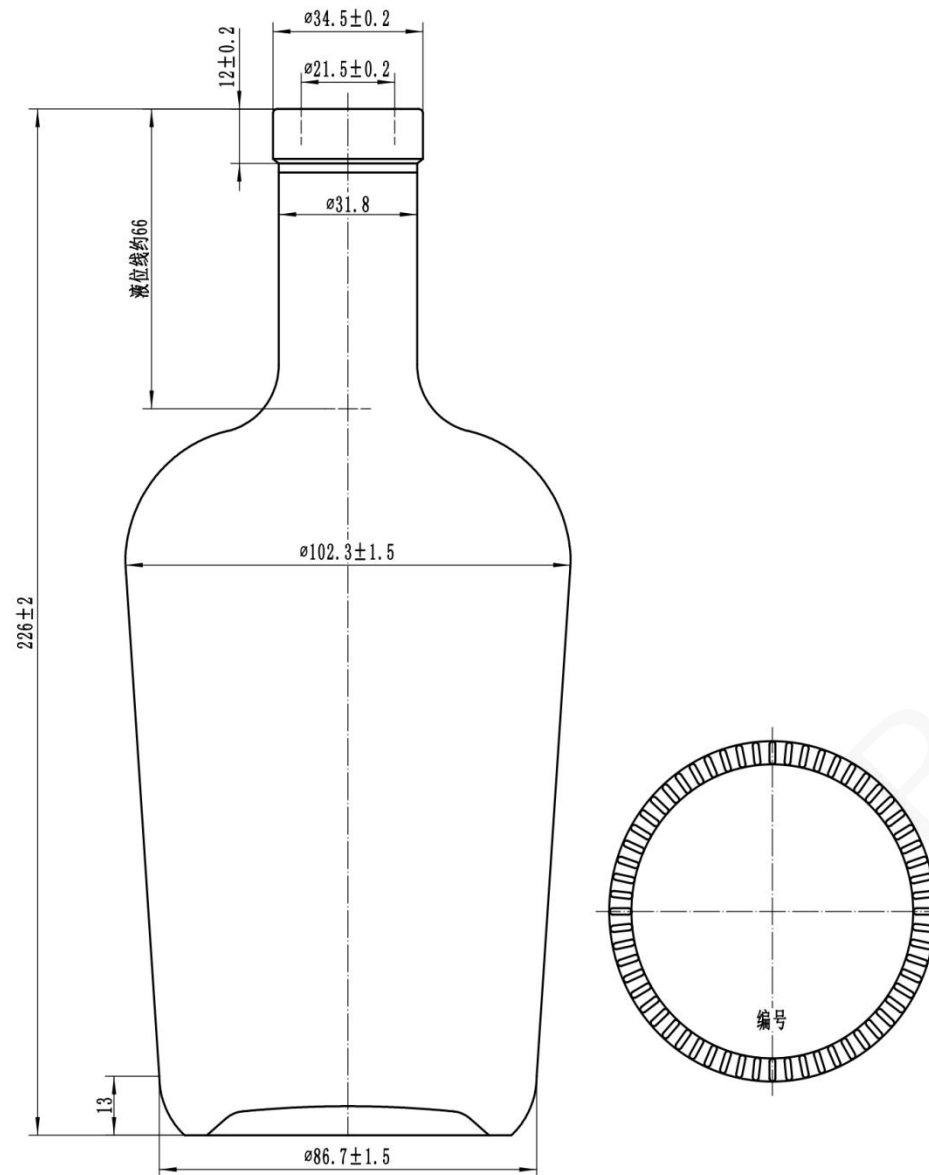


# TECHNICAL DRAWING

## YXJ-11022

75CL—780gr / Extra Flint Material



**BRIVERGLASS**

NAME OF BOTTLE :	YXJ-11022 50CL		
CAPACITY :	750ml	GLASS WEIGHT :	780±10g
FULL CAPACITY :	780±10ml	GLASS HEIGHT :	226±2mm
DIAMETER :	102.3±1.5mm	MATERIAL :	EXTRA FLINT
FINISH OUTSIDE :	34.5±0.2mm	FINISH INSIDE :	21.5±0.2mm

Please carefully review the technical drawings. Bottles that comply with the technical drawings are considered qualified products.

Info@briverglass.com | www.briverglass.com