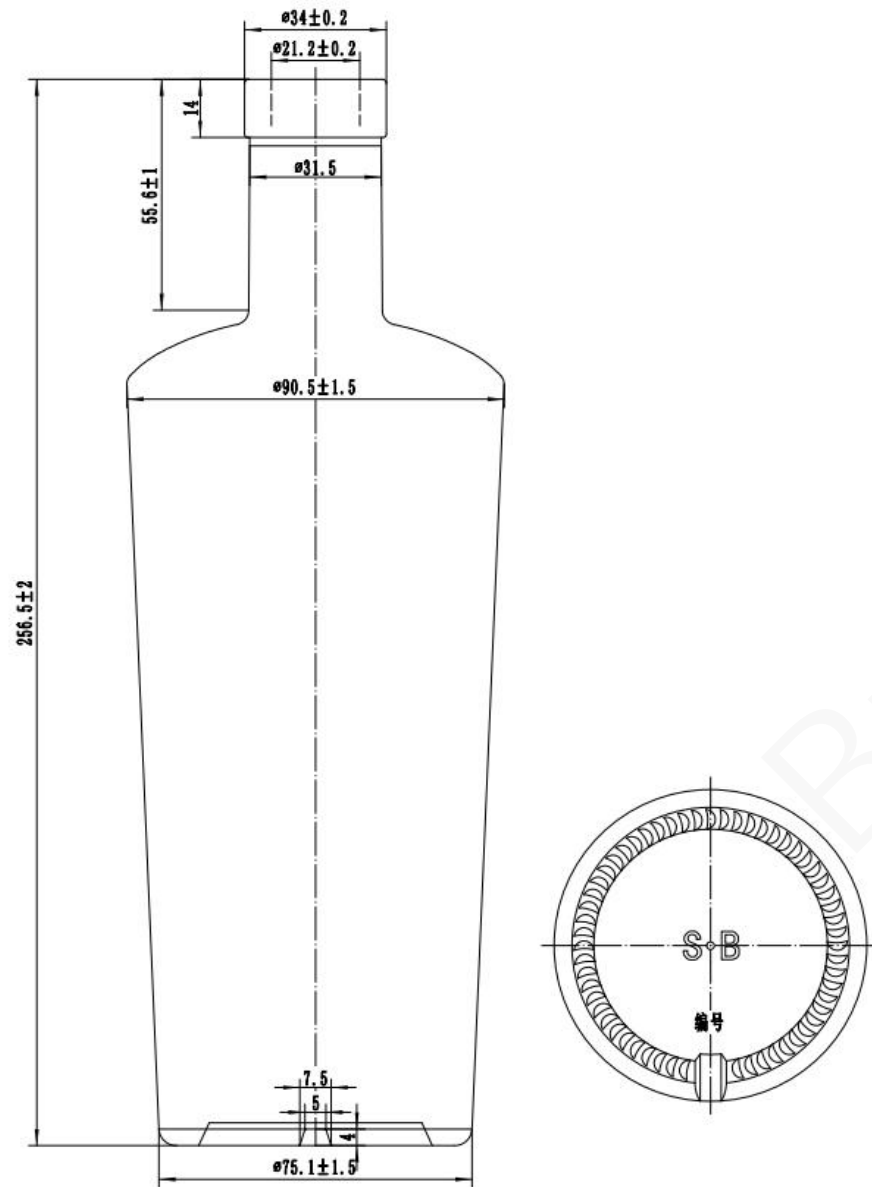


TECHNICAL DRAWING

YXJ-10976

75CL—750gr / Extra Flint Material



BRIVERGLASS

NAME OF BOTTLE :		YXJ-10976 75CL	
CAPACITY :	750ml	GLASS WEIGHT :	750±10g
FULL CAPACITY :	770±8ml	GLASS HEIGHT :	256.5±2mm
DIAMETER :	90.5±1.5mm	MATERIAL :	EXTRA FLINT
FINISH OUTSIDE :	34±0.2mm	FINISH INSIDE :	21.2±0.2mm

Please carefully review the technical drawings. Bottles that comply with the technical drawings are considered qualified products.

Info@briverglass.com | www.briverglass.com