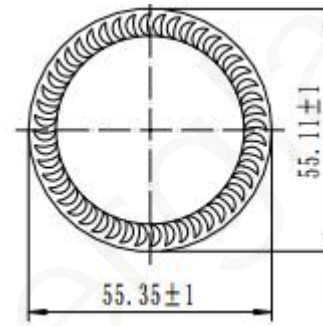
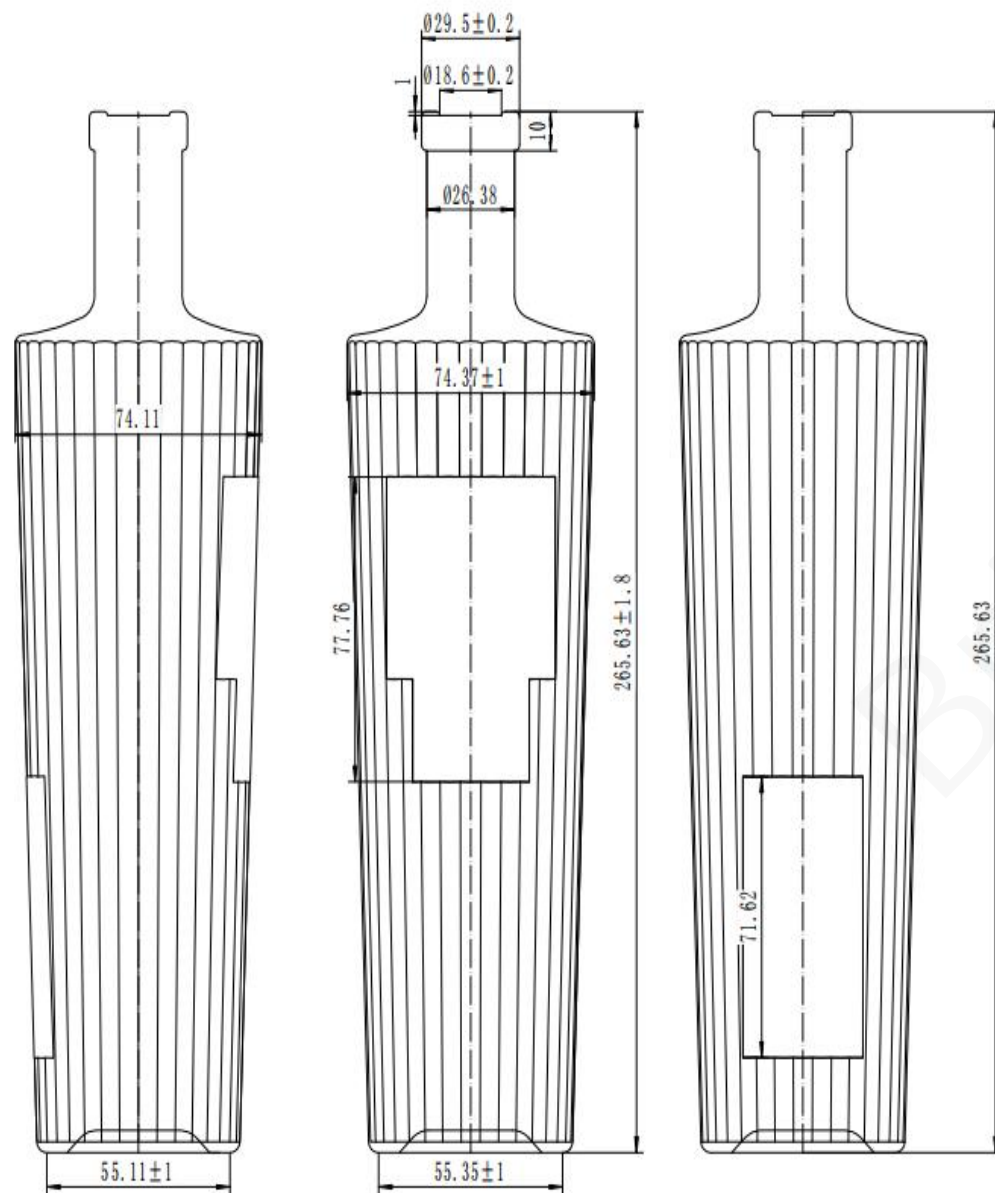


# TECHNICAL DRAWING

## YXJ-10954

50CL—620gr / Extra Flint Material



**BRIVERGLASS**

NAME OF BOTTLE :		YXJ-10954 50CL	
CAPACITY :	500ml	GLASS WEIGHT :	620g
FULL CAPACITY :	525ml	GLASS HEIGHT :	265.63±1.8mm
DIAMETER :	74.37±1mm	MATERIAL :	EXTRA FLINT
FINISH OUTSIDE :	29.5±0.2mm	FINISH INSIDE :	18.6±0.2mm

Please carefully review the technical drawings. Bottles that comply with the technical drawings are considered qualified products.

Info@briverglass.com | www.briverglass.com