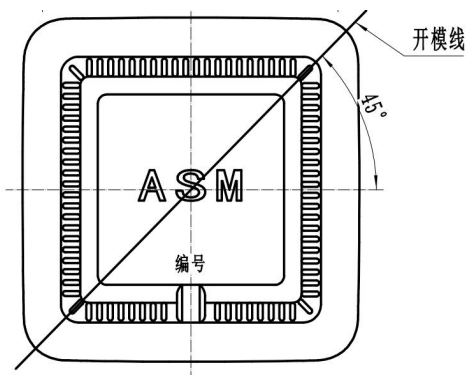
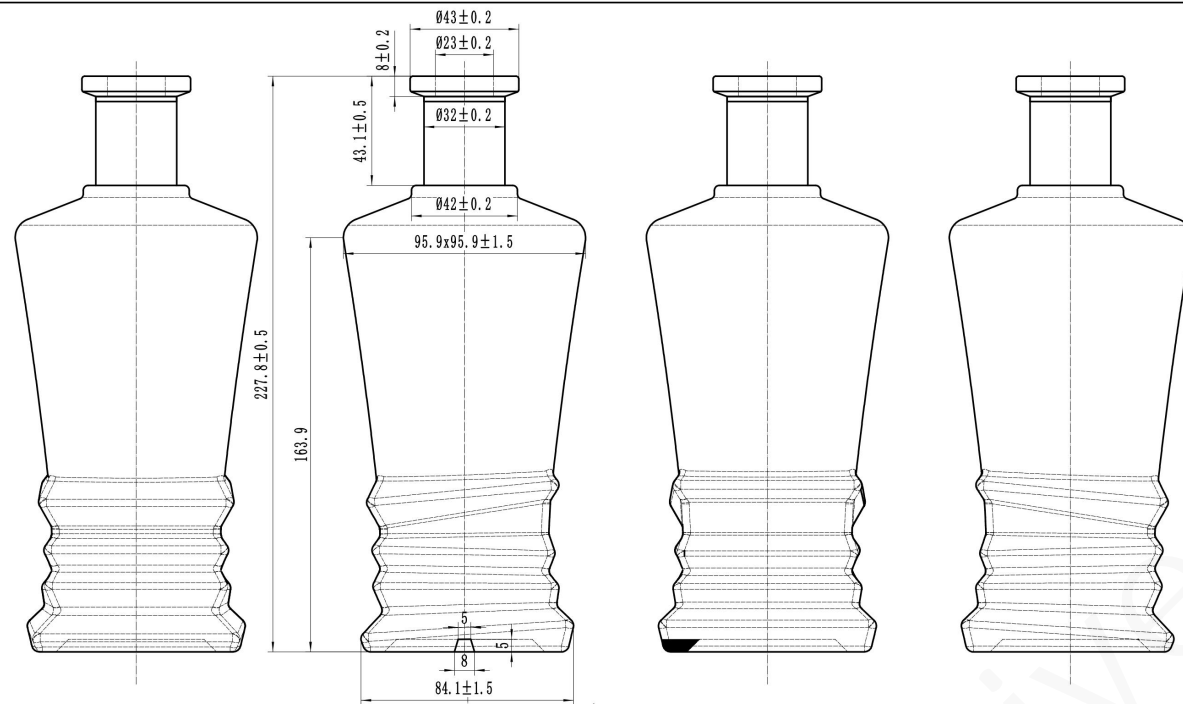


TECHNICAL DRAWING

YXJ-10597

70CL—950gr / Extra Flint Material



BRIVERGLASS

NAME OF BOTTLE :	YXJ-10597 70CL		
CAPACITY :	700ml	GLASS WEIGHT :	950±10g
FULL CAPACITY :	730ml±10ml	GLASS HEIGHT :	227.8±0.5mm
DIAMETER :	95.9X95.9±1.5mm	MATERIAL :	EXTRA FLINT
FINISH OUTSIDE :	43±0.2mm	FINISH INSIDE :	23±0.2mm

Please carefully review the technical drawings. Bottles that comply with the technical drawings are considered qualified products.

Info@briverglass.com | www.briverglass.com