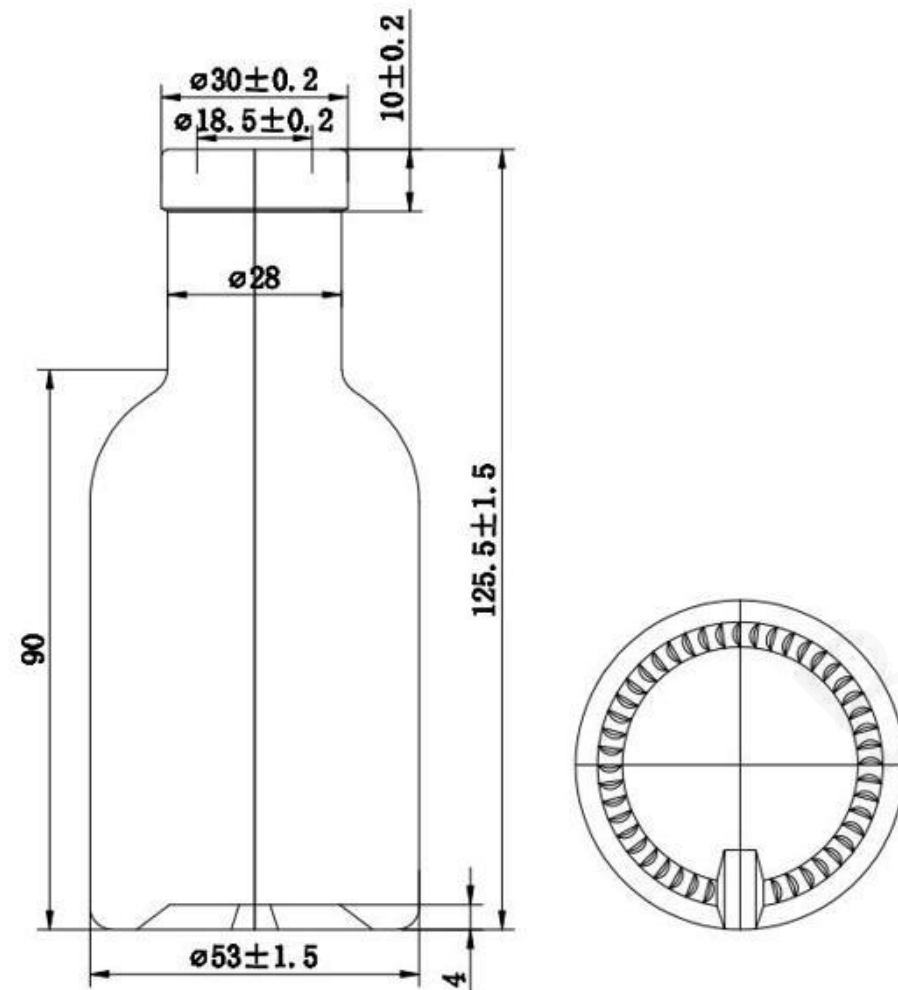


TECHNICAL DRAWING

YXJ-10260

10CL—220gr / Extra Flint Material



BRIVERGLASS

NAME OF BOTTLE :		YXJ-10260 10CL	
CAPACITY :	100ml	GLASS WEIGHT :	220g
FULL CAPACITY :	110ml	GLASS HEIGHT :	125.5±1.5mm
DIAMETER :	53±1.5mm	MATERIAL :	EXTRA FLINT
FINISH OUTSIDE :	30±0.2mm	FINISH INSIDE :	18.5±0.2mm

Please carefully review the technical drawings. Bottles that comply with the technical drawings are considered qualified products.

Info@briverglass.com | www.briverglass.com