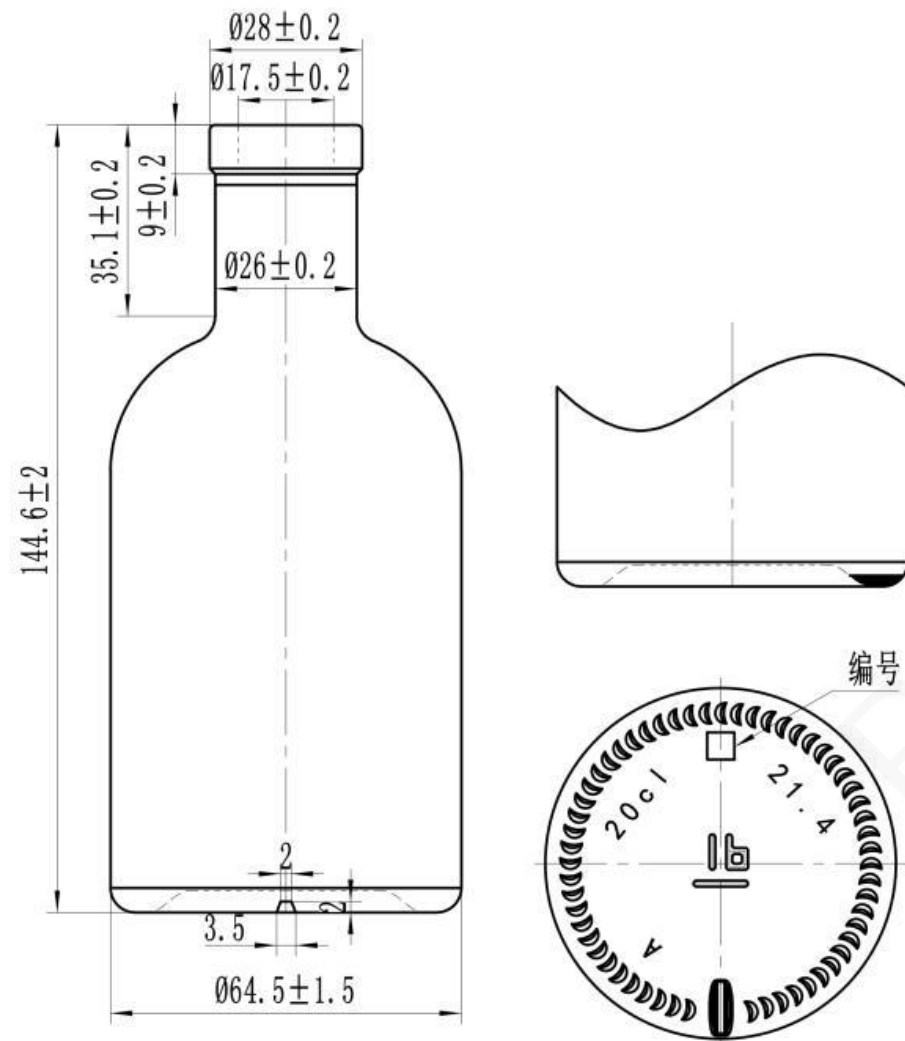


# TECHNICAL DRAWING

## YXJ-10260

20CL—300gr / Extra Flint Material



**BRIVERGLASS**

NAME OF BOTTLE :		YXJ-10260 20CL	
CAPACITY :	200ml	GLASS WEIGHT :	300g
FULL CAPACITY :	215ml	GLASS HEIGHT :	$144.6 \pm 2$ mm
DIAMETER :	$64.5 \pm 1.5$ mm	MATERIAL :	EXTRA FLINT
FINISH OUTSIDE :	$28 \pm 0.2$ mm	FINISH INSIDE :	$17.5 \pm 0.2$ mm

Please carefully review the technical drawings. Bottles that comply with the technical drawings are considered qualified products.

Info@briverglass.com | www.briverglass.com