



LED EMERGENCY LIGHTING

Product specification

FEATURES & SPECIFICATIONS

INTENDED USE — Provides a minimum of 90 minutes illumination for the rated wattage upon loss of AC power to meet and exceed code required emergency lighting. Ideal for applications where steel housing emergency lighting is required.

CONSTRUCTION — 20-gauge steel housing, finished with corrosion-resistant instrument enamel. Lamps utilize High lumen LED with an PC lens. The back-plate contains a universal j-box mounting pattern to facilitate ease of installation on a wide variety of j-boxes.

OPTICS — Two high performance LED lampheads rated at 1.5 watts each and delivers a total of 250 lumens.

ELECTRICAL — IN PUT 120 - 347Vac, 50/60hz. Current-limiting charger maximizes battery life and minimizes energy consumption to provide low operating costs.

Short-circuit protection — current-limiting charger circuitry protects printed circuit board from shorts. Regulated charge voltage maintains a stable charge voltage over a wide range of line voltages.

Prevents over/undercharging that shortens battery life and reduces capacity. Filtered charger input minimizes charge voltage ripple and extends battery life.

AC Reset and Low Voltage Disconnect allows battery connection before AC power is applied and prevents battery damage from deep discharge.

BATTERY: 3.6V AA900mAh long life, maintenance-free, rechargeable NiCd battery.

INSTALLATION — Back mount only. Side and top conduit knockouts available.

LISTINGS — UL damp location listed at 32-122°F (0-50°C). Meets or exceeds all applicable requirements for UL924. List and labeled to comply with Canadian Standards C22.2 No.141-10.



PRODUCT DIMENSIONS:

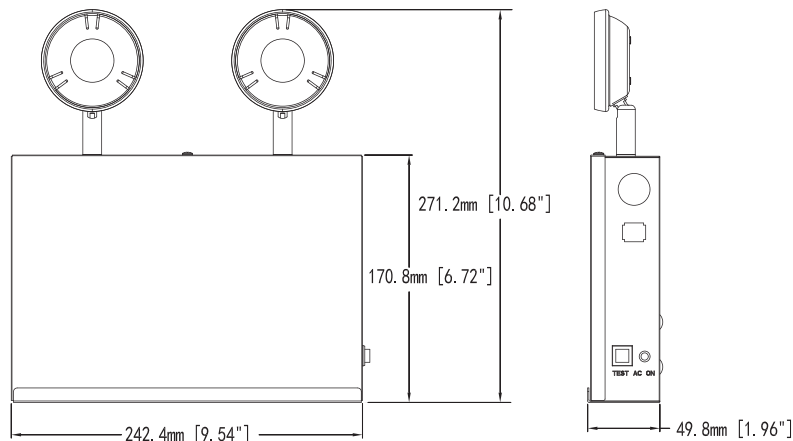
Specifications

Length: 242.4mm [9.54"]

Depth: 49.8mm [1.96"]

Height: 271.2mm [10.68"]

Weight: 1.41kg



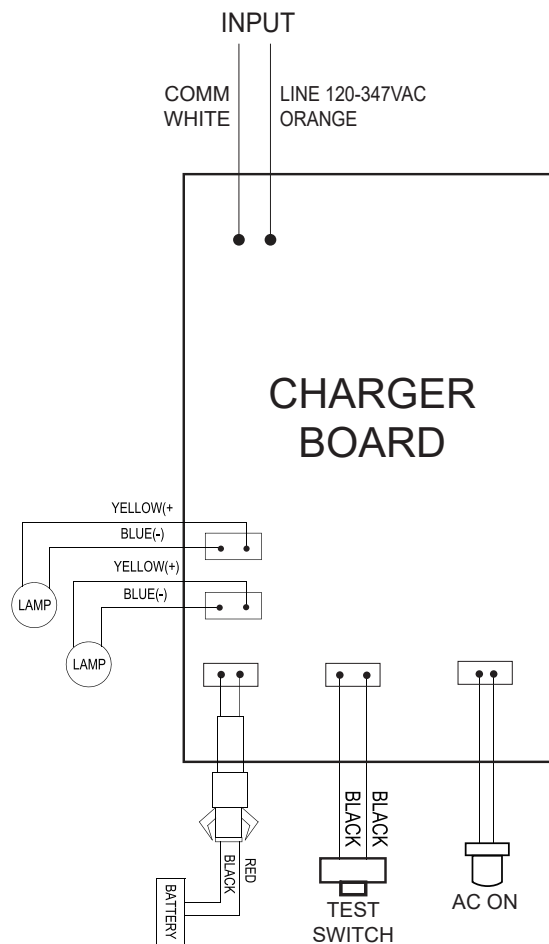
PARAMETERS:

| MODEL NO: | Input Ratings | | | | Emergency Output: | | Emergency Run Time | Recharge Time | Battery Pack | Operation Ambient |
|-----------|---------------|---------|------------------|----------|-------------------|------------|--------------------|---------------|--------------------|------------------------|
| SEMLW | 120-347Vac | 50/60Hz | 0.018-0.008 Amps | 1.1Watts | 3.6Vdc | 3Watts max | 90Minutes | 24Hours | NiCd 3.6V AA900mAh | 0-50 °C damp locations |
| SEMLB | | | | | | | | | | |

MODEL DIFFERENCES:

Models SEMLW and SEMLB are same except color of enclosure: 'W' for white, 'B' for black

WIRING DIAGRAM:



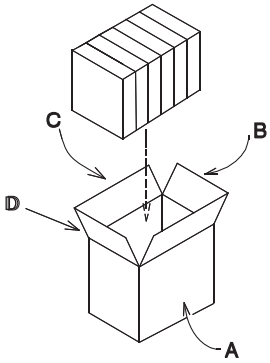
INDICATOR LIGHT:

Charging - Indicator light ON Green

Battery Disconnect(Connect AC power) - Indicator light ON Red

Emergency Mode - Indicator light OFF

PACKING DESCRIPTION:



| | |
|--------------------|---------------|
| Master carton Size | 390x282x310mm |
| Gift box Size | 290x270x60mm |
| Net weight/CTN | 8.47 KGS |
| Gross weight/CTN | 8.97 KGS |
| QTY/CTN | 6 PCS |

ACCESSORIES:

